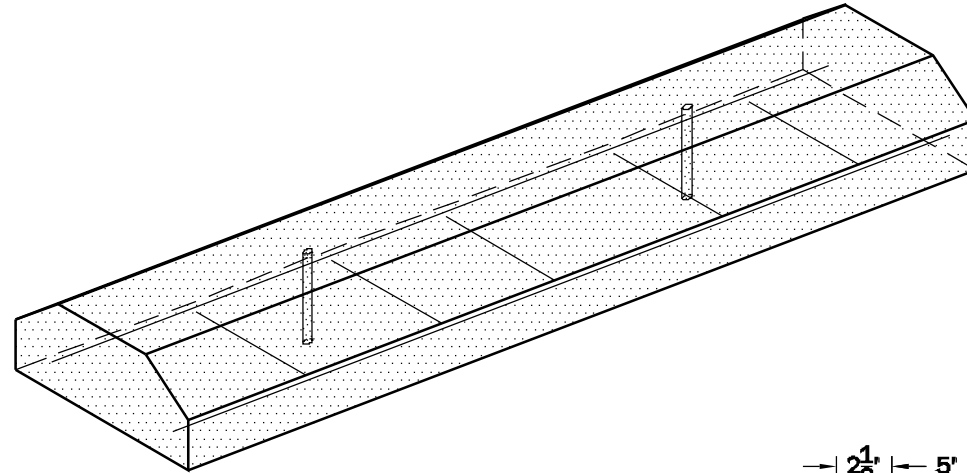
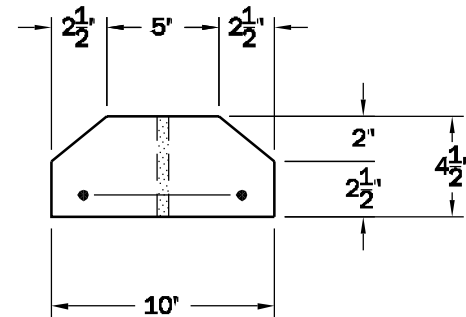
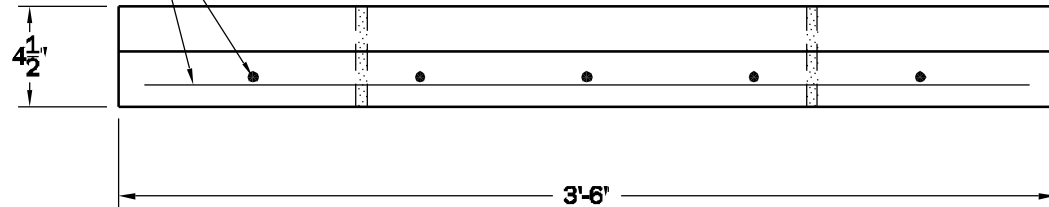


# 3'-6" PARKING CURB



#4 REBAR



**NOTES:**

1. EACH PARKING CURB IS SUPPLIED WITH (2) #4 REBAR PINS AND WEIGHS 85LBS.
2. CONCRETE SHALL BE 4,000 P.S.I. @ 28 DAYS

**WESTERN**  
PRECAST CONCRETE INC.  
QUALITY PRODUCTS AND SERVICE SINCE 1946

**3'-6" PARKING CURB**

9101 Roseway

(915) 859-9362