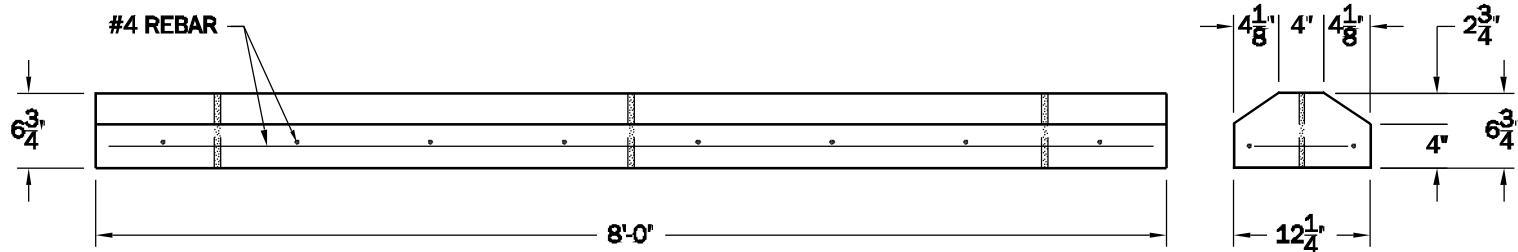
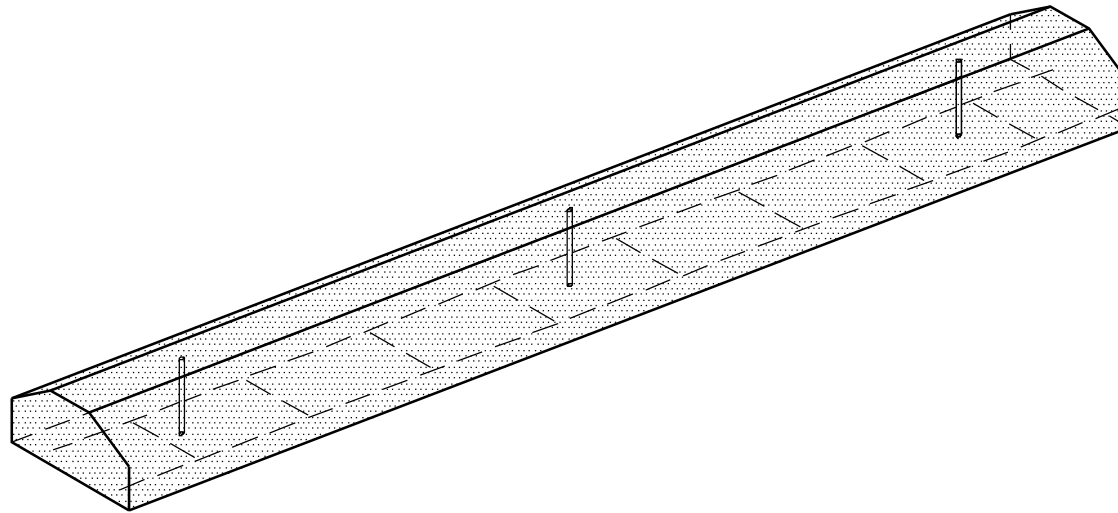


8'-0" PARKING CURB



NOTES:

- 1. EACH PARKING CURB IS SUPPLIED WITH (3) #4 REBAR PINS AND WEIGHS 565LBS.
- 2. CONCRETE SHALL BE 4,000 P.S.I. @ 28 DAYS

WESTERN
PRECAST CONCRETE INC.
QUALITY PRODUCTS AND SERVICE SINCE 1946

8'-0" PARKING CURB

9101 Roseway | (915) 859-9362