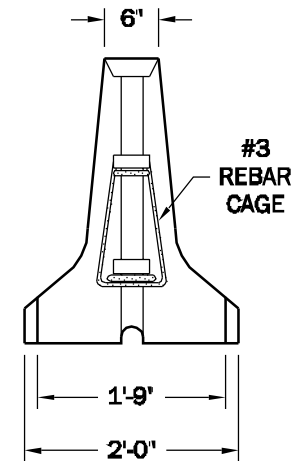
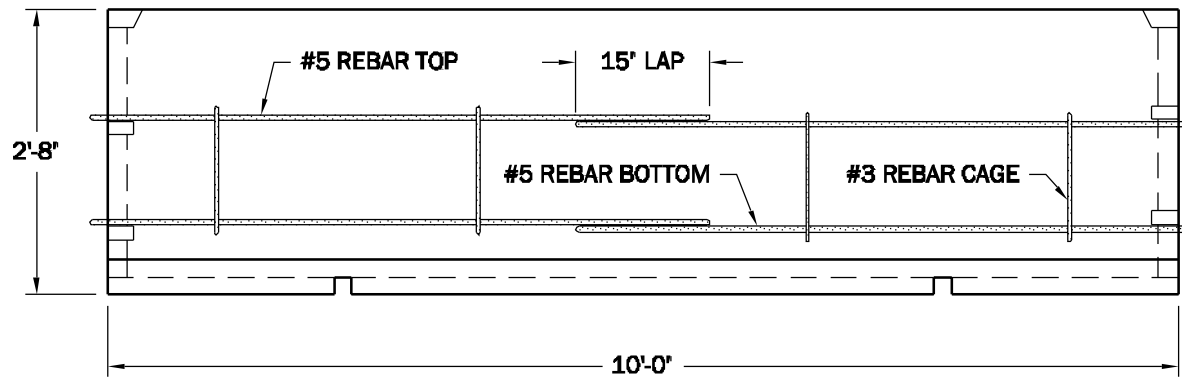
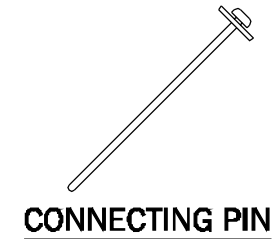


HIGHWAY JERSEY BARRIER



NOTES:

1. CONCRETE TO BE 3,000 LBS @ 28 DAYS.
2. EACH BARRIER WEIGHS 4,000 LBS.
3. BARRIERS CAN BE INTERCONNECTED WITH A 28" X $\frac{7}{8}$ " CONNECTING PIN WITH WASHER.

WESTERN
PRECAST CONCRETE INC.
 QUALITY PRODUCTS AND SERVICE SINCE 1946

HIGHWAY JERSEY BARRIER

9101 Roseway | (915) 859-9362