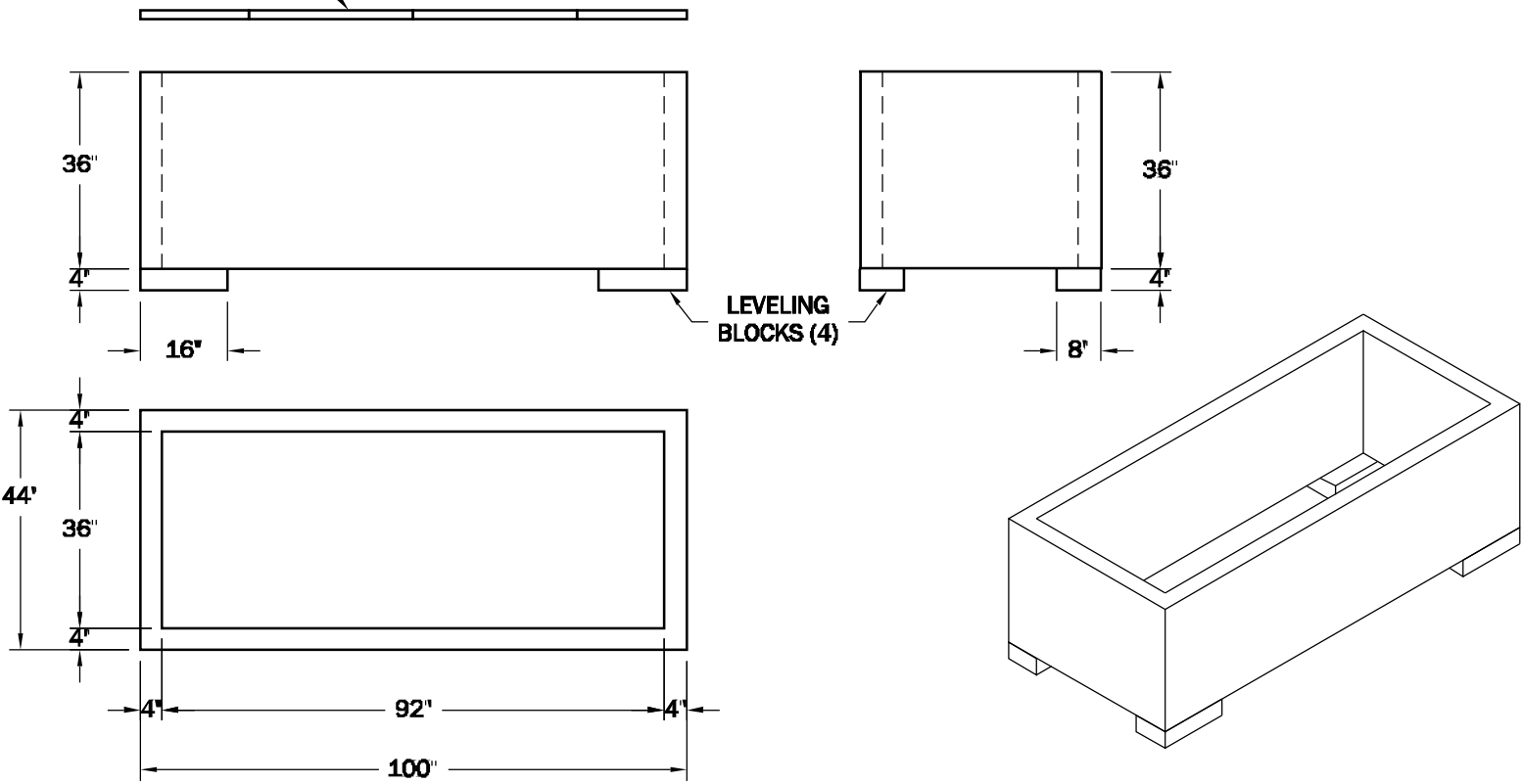


# ASSEMBLY "K"

100"L X 44"W X 36"H

\* SEE NOTE



LEVELING BLOCKS (4)

\*NOTE:  
FIBERGLASS LIDS PROVIDED BY OTHERS

**WESTERN**  
PRECAST CONCRETE INC.  
QUALITY PRODUCTS AND SERVICE SINCE 1946

<b>ASSEMBLY "K"</b>	
9101 Roseway	(915) 859-9362