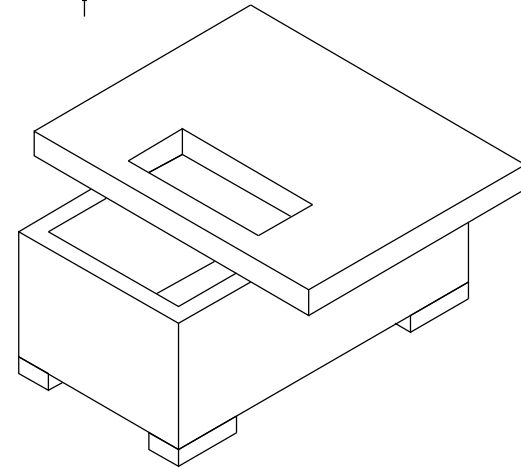
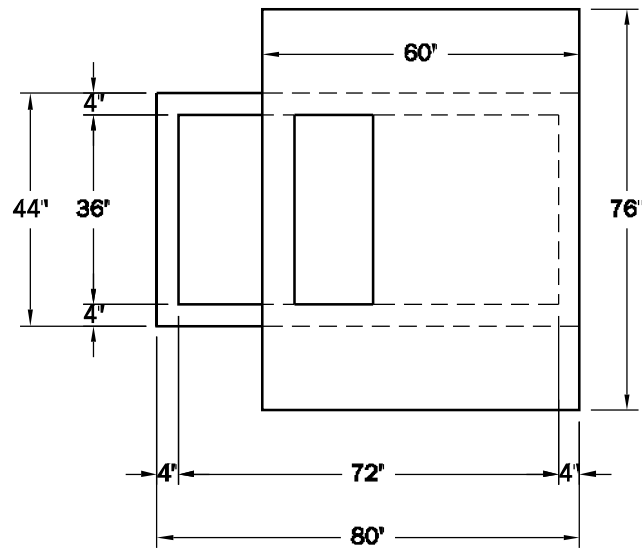
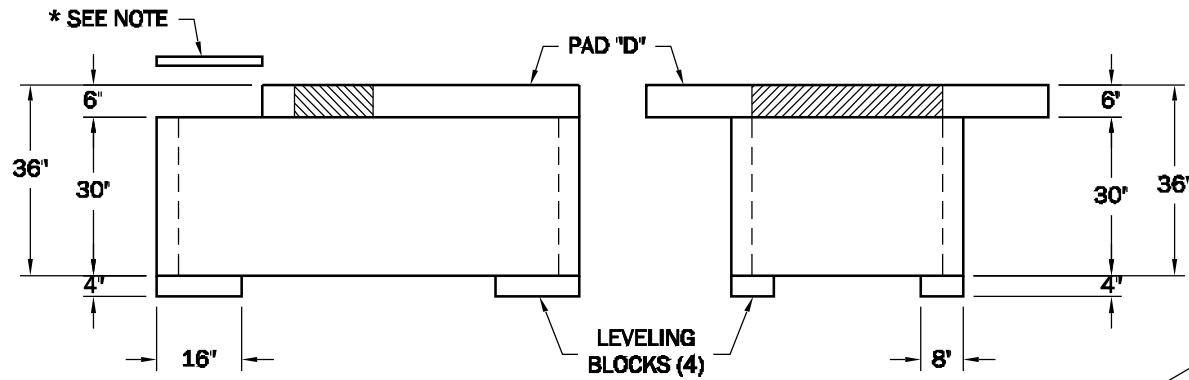


ASSEMBLY "D"

80"L X 44"W X 30"H



*NOTE:
FIBERGLASS LIDS PROVIDED BY OTHERS

WESTERN
PRECAST CONCRETE INC.
QUALITY PRODUCTS AND SERVICE SINCE 1946

ASSEMBLY "D"

9101 Roseway | (915) 859-9362