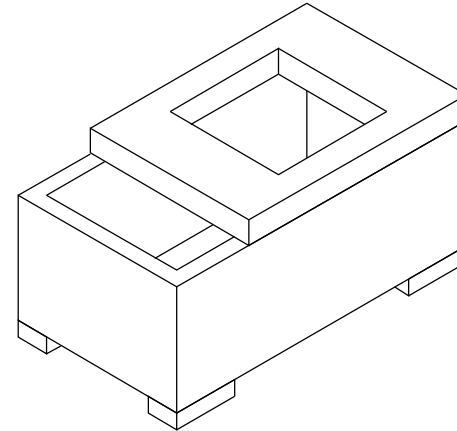
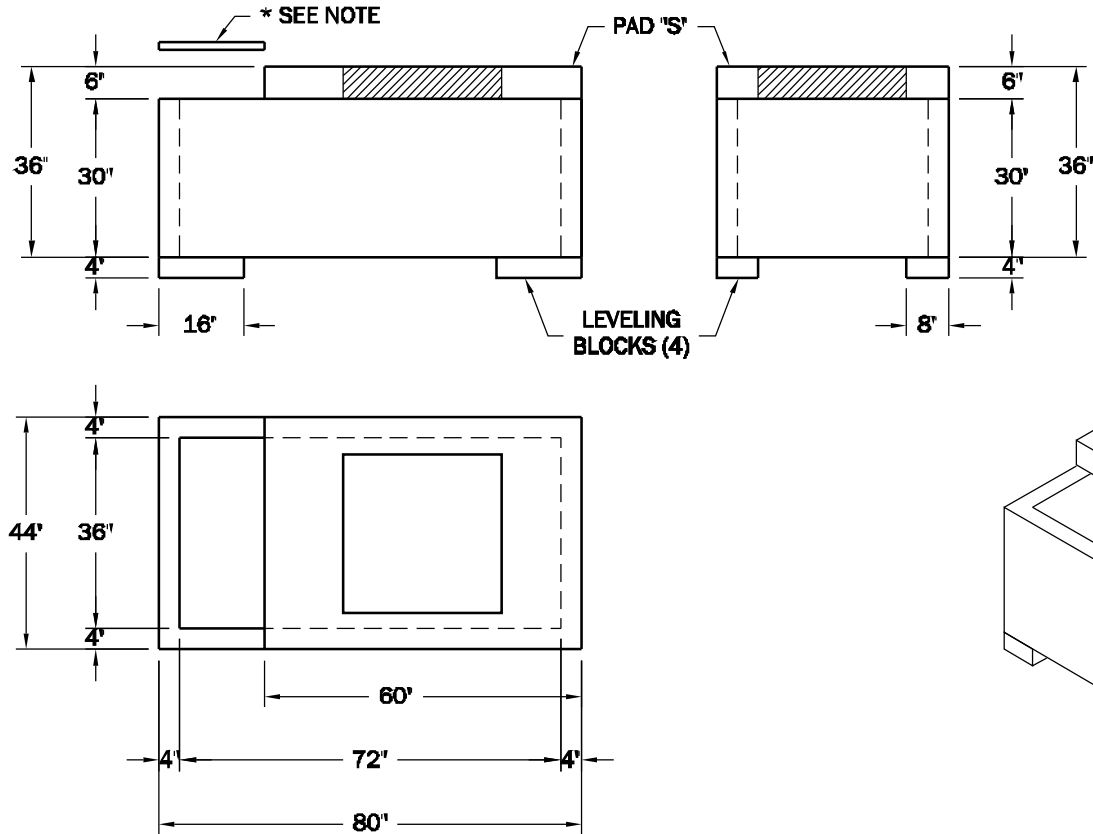


# ASSEMBLY "S"

80"L X 44"W X 30"H



\*NOTE:  
FIBERGLASS LIDS PROVIDED BY OTHERS

**WESTERN**  
PRECAST CONCRETE INC.  
QUALITY PRODUCTS AND SERVICE SINCE 1946

**ASSEMBLY "S"**

9101 Roseway | (915) 859-9362