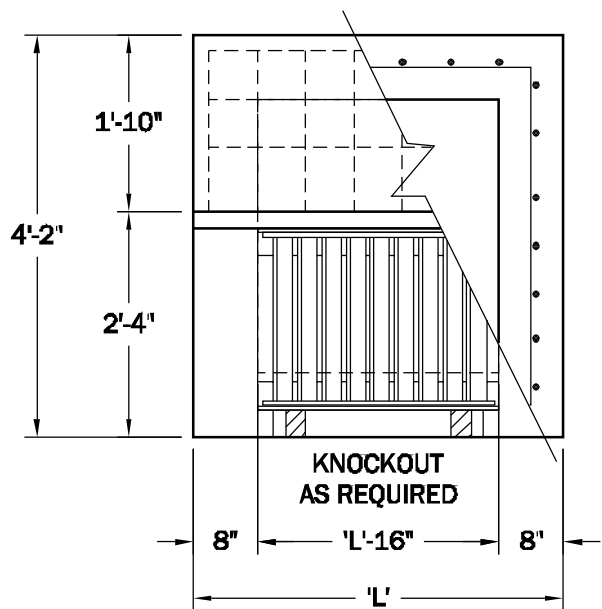
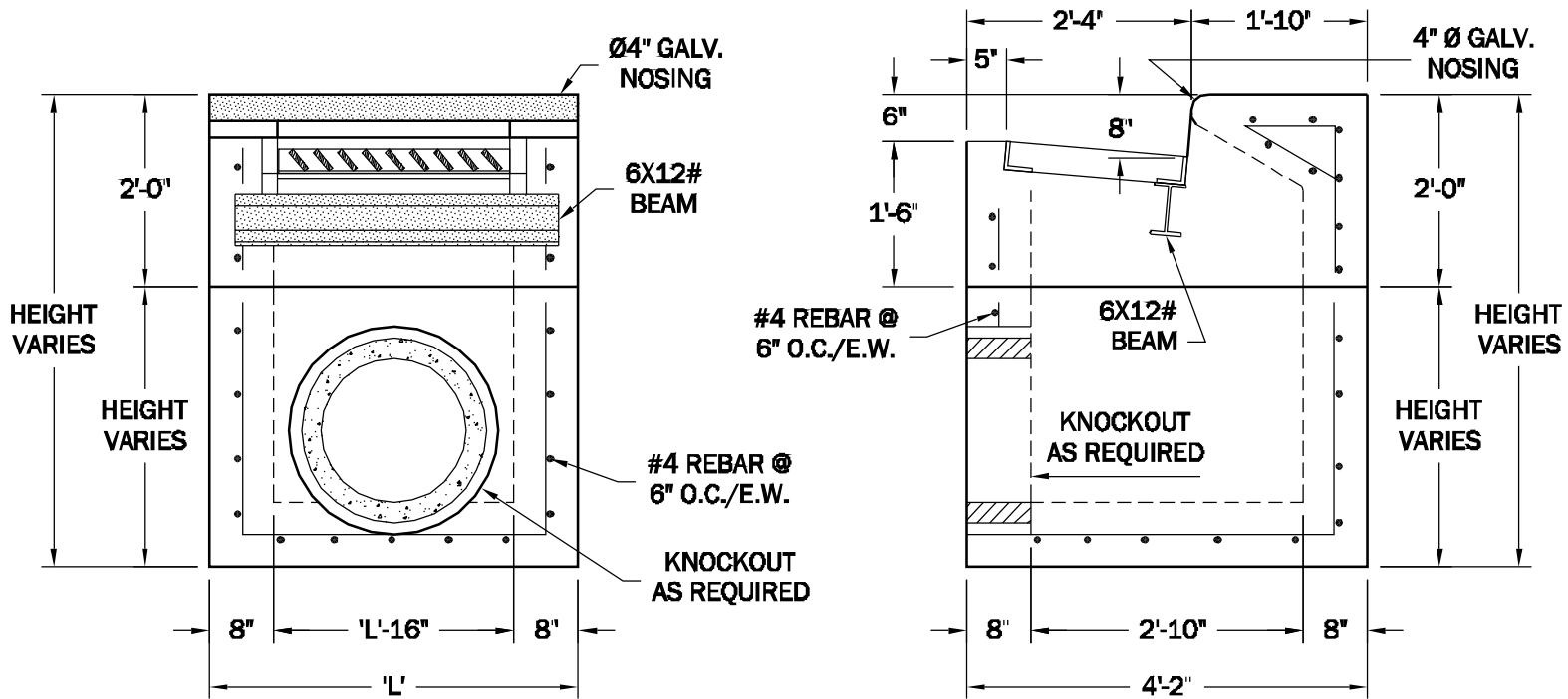


# TYPE I DROP INLET



NO. OF GRATES	'L'
1	3'-10"
2 *	6'-4"
3 *	8'-10"
4 *	11'-4"
5 *	13'-10"

\* CAPS NOT AVAILABLE

**WESTERN**  
**PRECAST CONCRETE INC.**  
 QUALITY PRODUCTS AND SERVICE SINCE 1946

**TYPE I DROP INLET**

9101 Roseway | (915) 859-9362