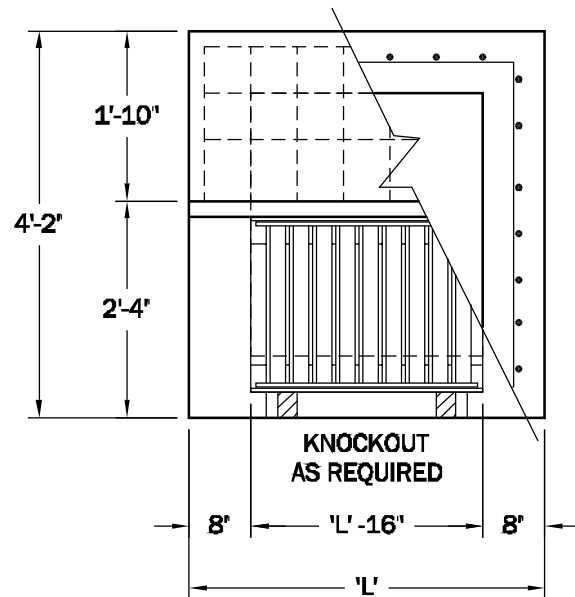
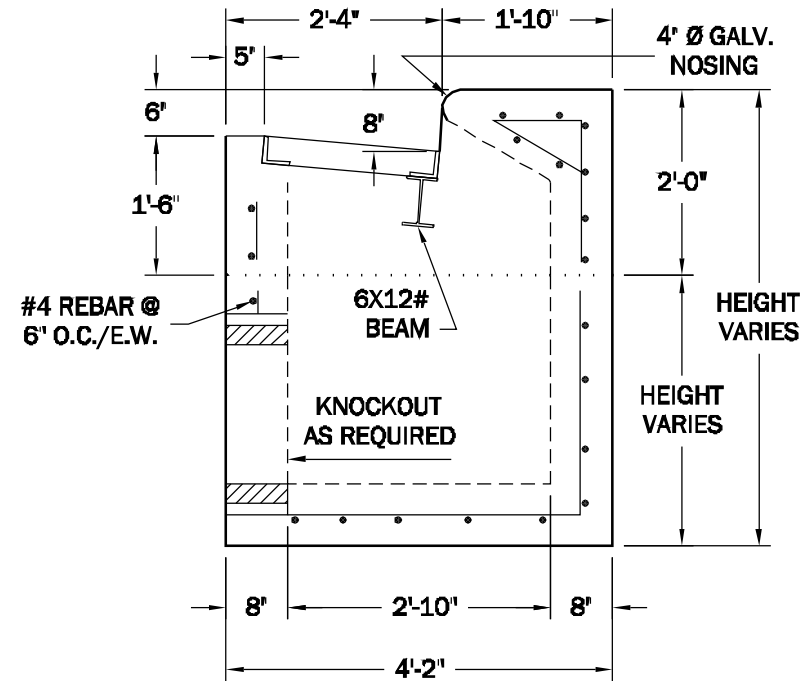
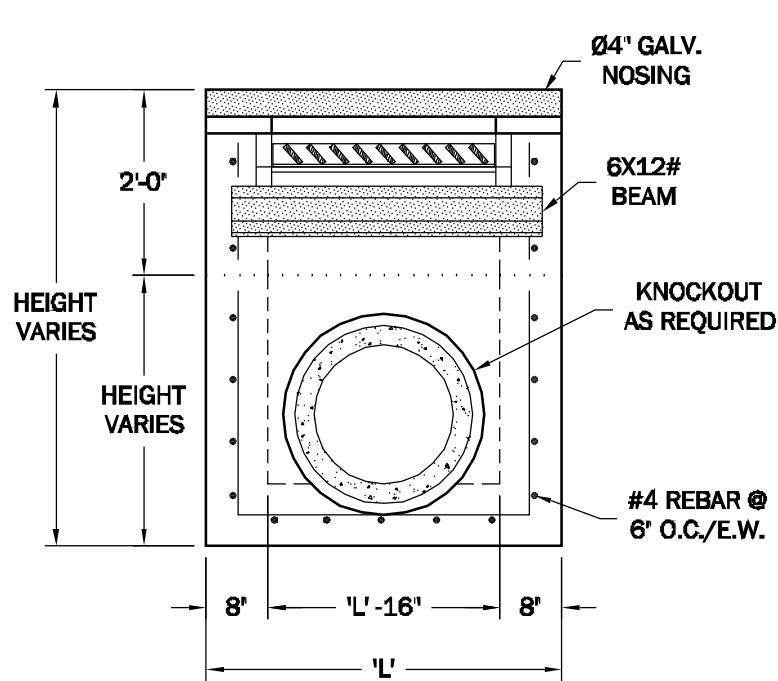


TYPE I DROP INLET-SINGLE UNIT

INLET BOX AND CAP CAST AS A SINGLE UNIT IN TWO POURS



NOTE:

1. NO ADJUSTMENT AVAILABLE FOR SINGLE UNITS.
2. INLET BOX AND CAP CAST AS A SINGLE UNIT IN TWO POURS.

NO. OF GRATES	"L"
1	3'-10"
2	6'-4"
3	8'-10"
4	11'-4"
5	13'-10"

WESTERN
PRECAST CONCRETE INC.
 QUALITY PRODUCTS AND SERVICE SINCE 1946

TYPE I DROP INLET - SINGLE UNIT

9101 Roseway | (915) 859-9362