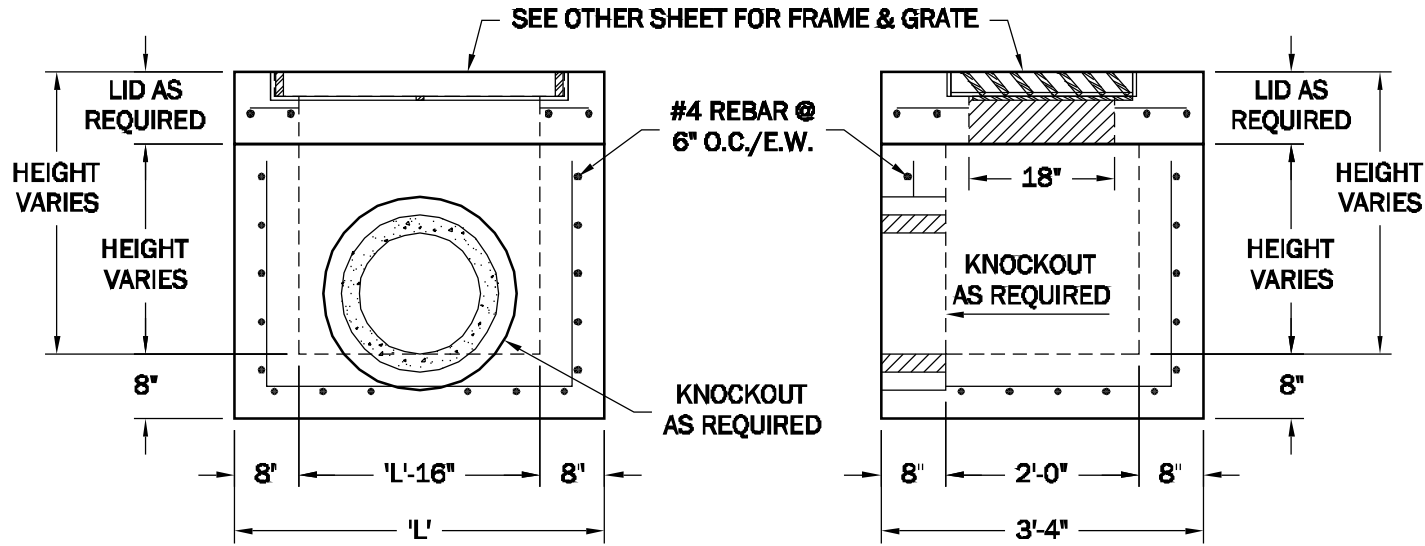
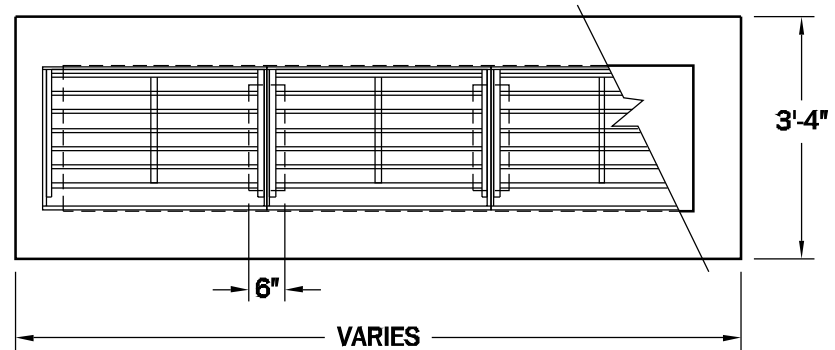
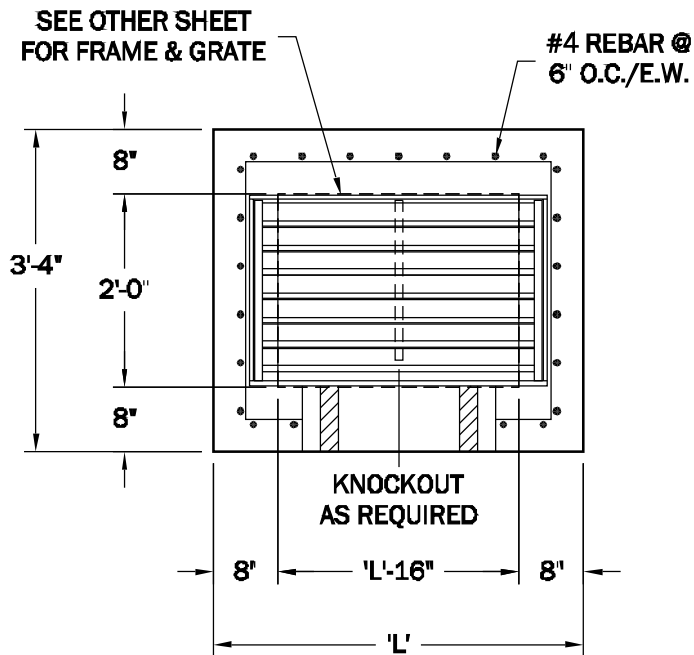


TYPE II DROP INLET



- NOTE:
1. GRATE BARS TO RUN PERPENDICULAR TO TRAFFIC.
 2. MULTIPLE UNITS REQUIRE W6X15.5X2'-8" BEAMS.



NOTE:
MULTI-FRAME UNITS REQUIRE W6X15.5 BEAMS AND LID THICKNESS OF 12"

NO. OF GRATES	'L'
1	3'-10"
2	7'-0"
3	10'-0"
4	13'-0"
5	16'-0"

WESTERN
PRECAST CONCRETE INC.
 QUALITY PRODUCTS AND SERVICE SINCE 1946

TYPE II DROP INLET

9101 Roseway | (915) 859-9362