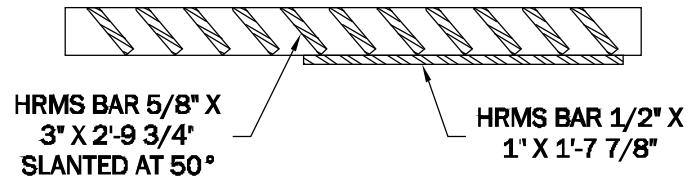
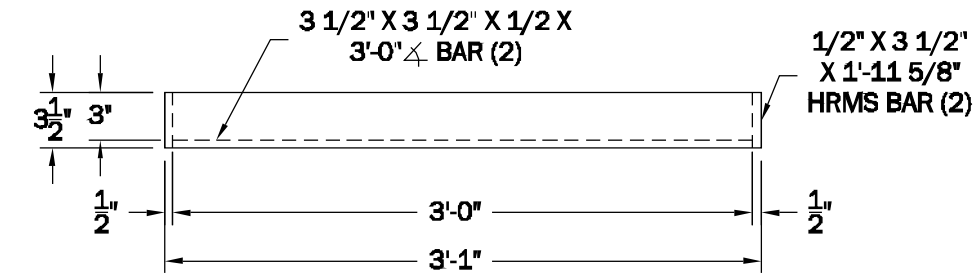
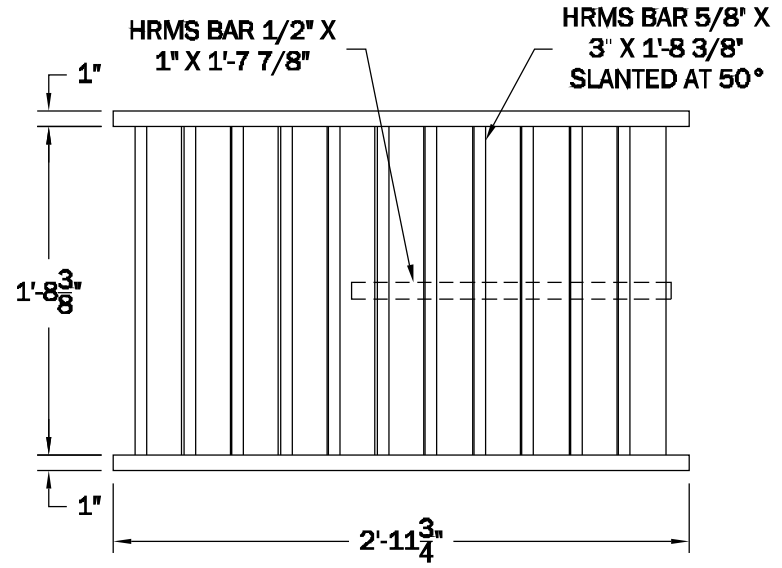
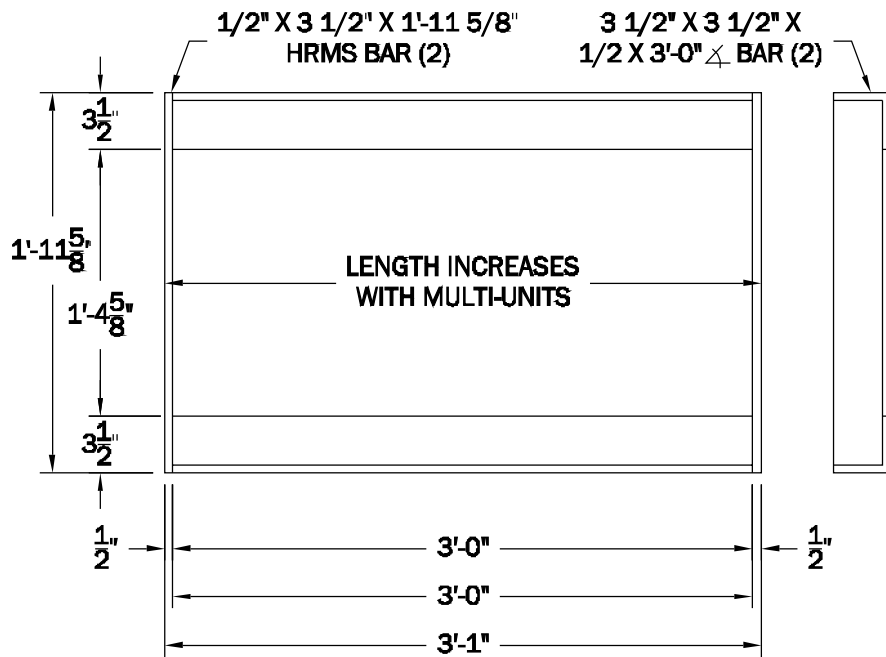


# FRAME & GRATE DETAILS FOR TYPE I

FRAME: 3'-0" L X 1'-10 5/8" W (I.D.) GRATE: 2'-11 3/4" L X 1'-10 3/8" W



**WESTERN**  
**PRECAST CONCRETE INC.**  
 QUALITY PRODUCTS AND SERVICE SINCE 1946

FRAME & GRATE DETAILS FOR TYPE I INLET

9101 Roseway | (915) 859-9362