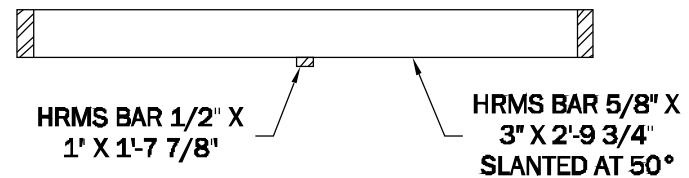
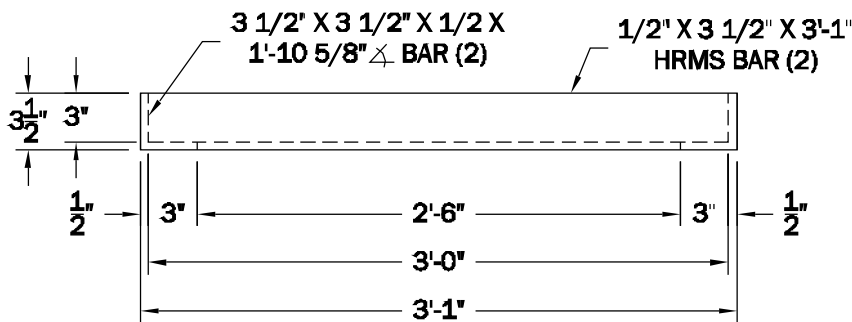
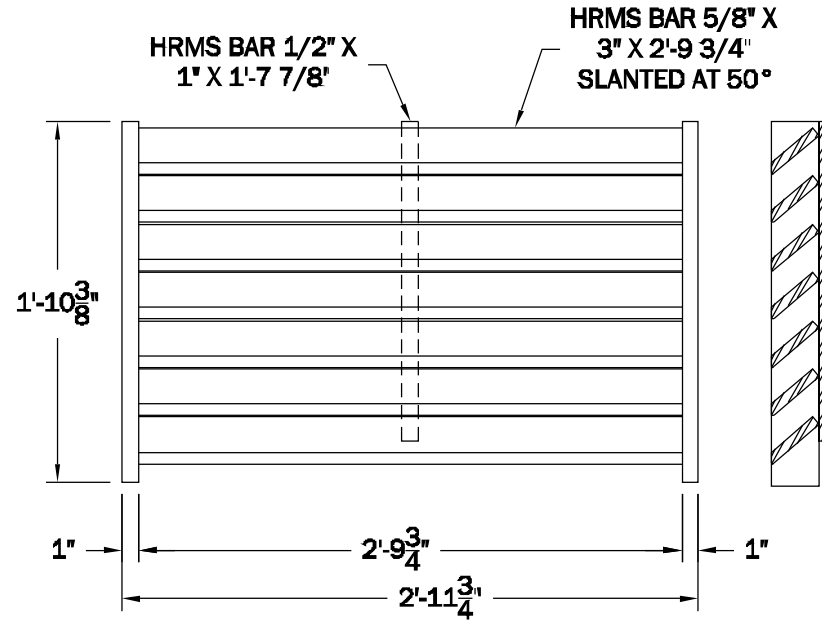
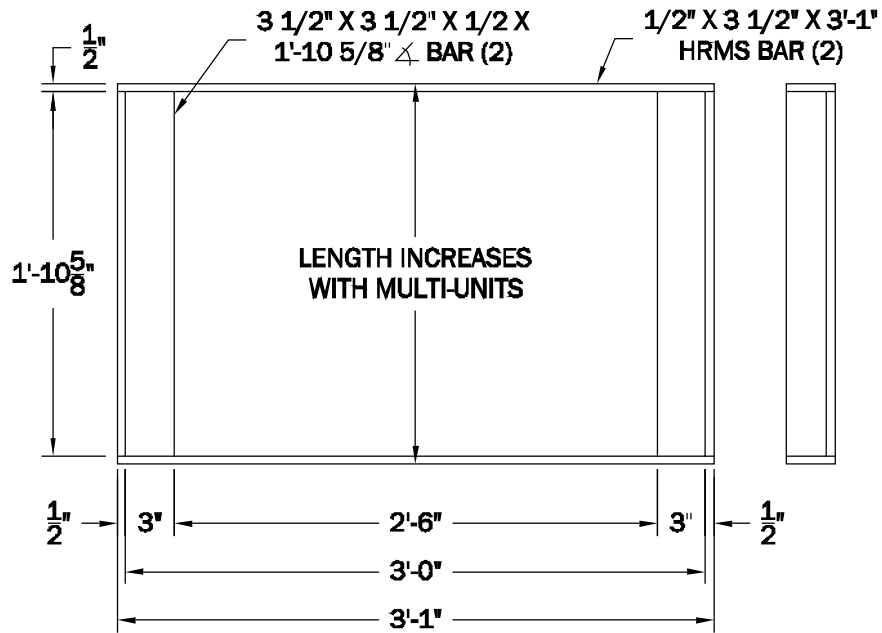


FRAME & GRATE DETAILS FOR TYPE III INLET

FRAME: 3'-0" L X 1'-10 5/8" W (I.D.) GRATE: 2'-11 3/4" L X 1'-10 3/8" W



WESTERN
PRECAST CONCRETE INC.
 QUALITY PRODUCTS AND SERVICE SINCE 1946

FRAME & GRATE DETAILS FOR TYPE III INLET

9101 Roseway | (915) 859-9362