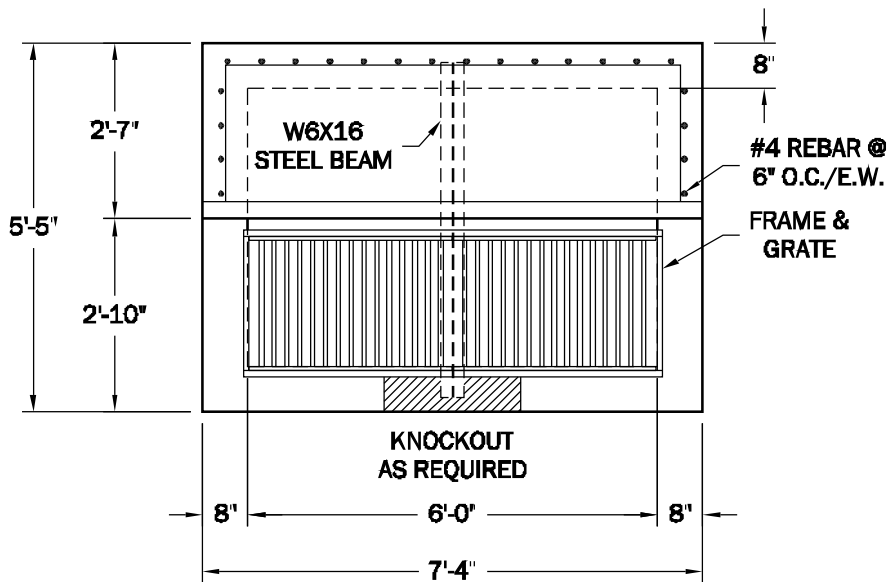
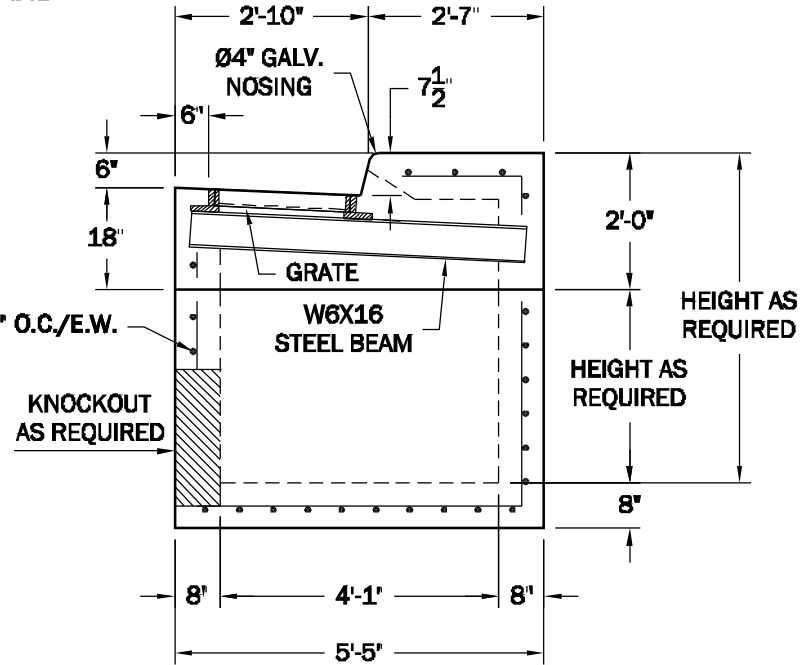
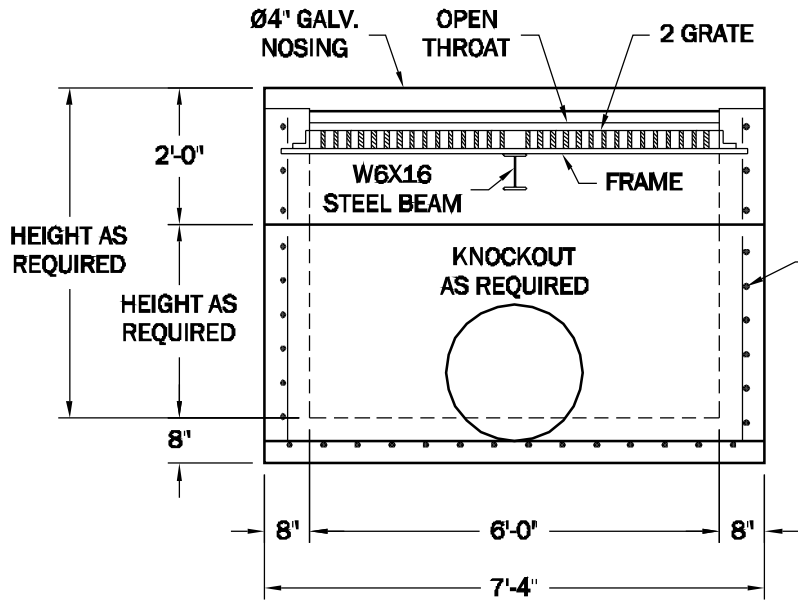


# TYPE "FF" INLET - 2 GRATE

TXDOT STANDARD



NOTE:  
SEE FRAME AND GRATE DETAIL

**WESTERN**  
**PRECAST CONCRETE INC.**  
 QUALITY PRODUCTS AND SERVICE SINCE 1946

**TYPE "FF" INLET - 2 GRATE**  
 9101 Roseway | (915) 859-9362