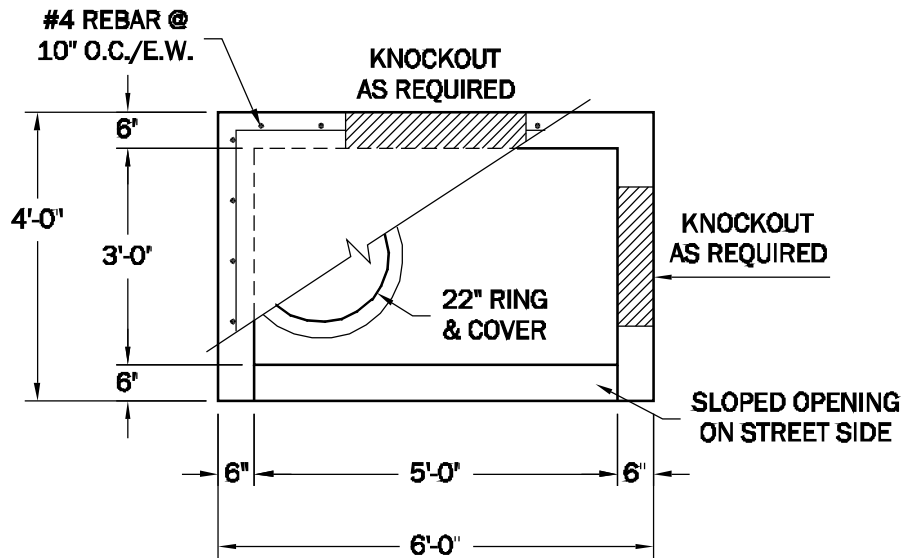
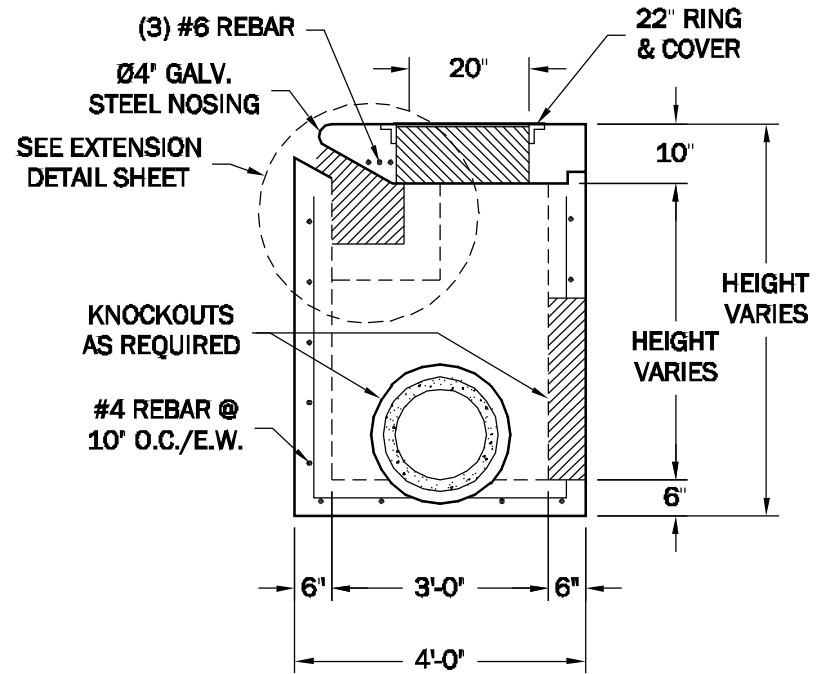
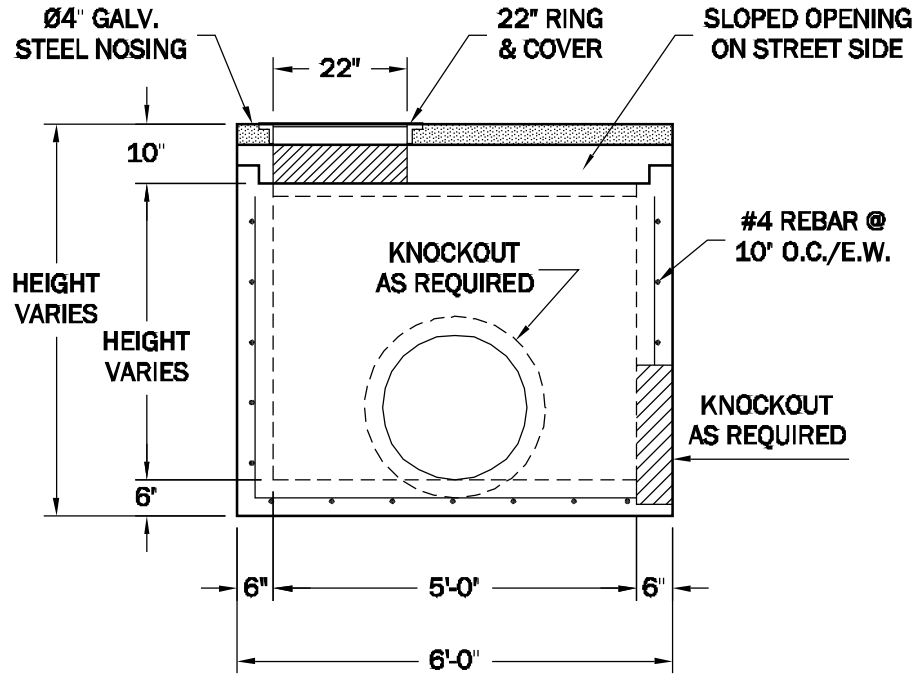


TYPE "C" INLET-SINGLE

W/ KNOCKOUTS AS REQUIRED



WESTERN
PRECAST CONCRETE INC.
QUALITY PRODUCTS AND SERVICE SINCE 1946

TYPE "C" INLET-SINGLE

9101 Roseway | (915) 859-9362