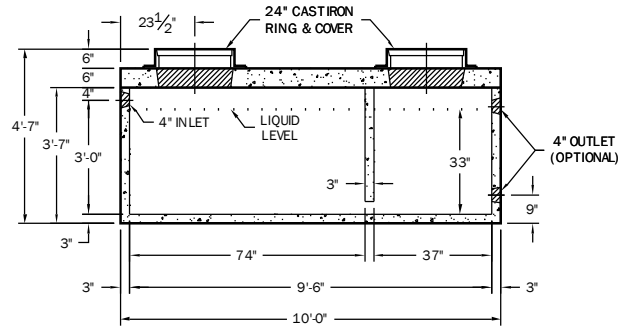
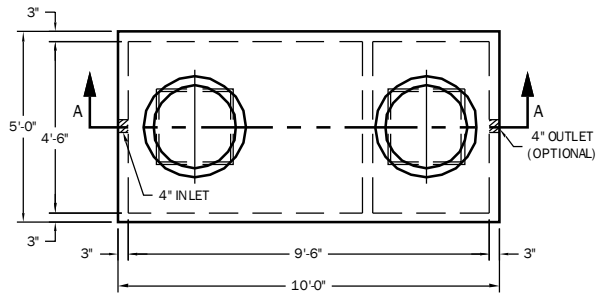


### 900 GALLON GREASE INTERCEPTOR

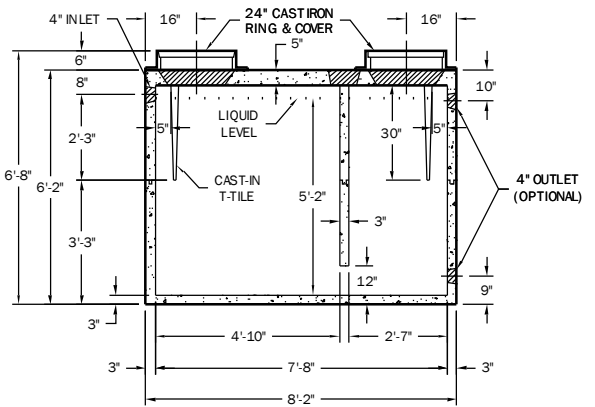
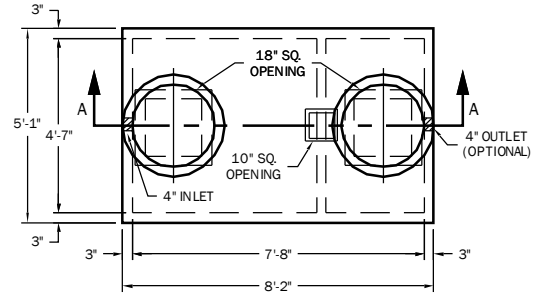
NON-TRAFFIC BEARING



SECTION A

### 1250 GALLON GREASE INTERCEPTOR

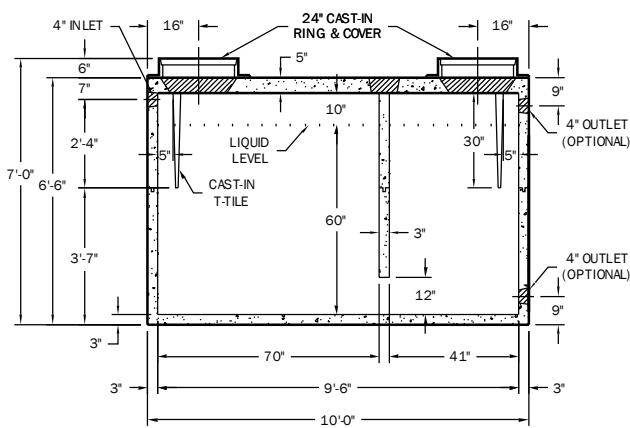
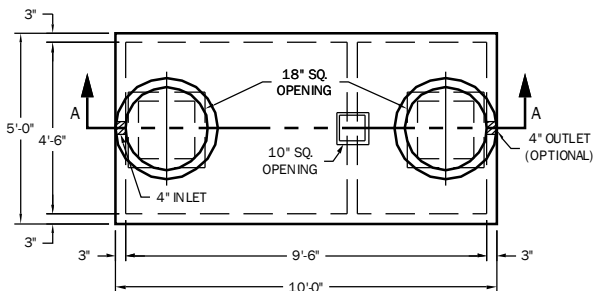
NON-TRAFFIC BEARING



SECTION A

### 1700 GALLON GREASE INTERCEPTOR

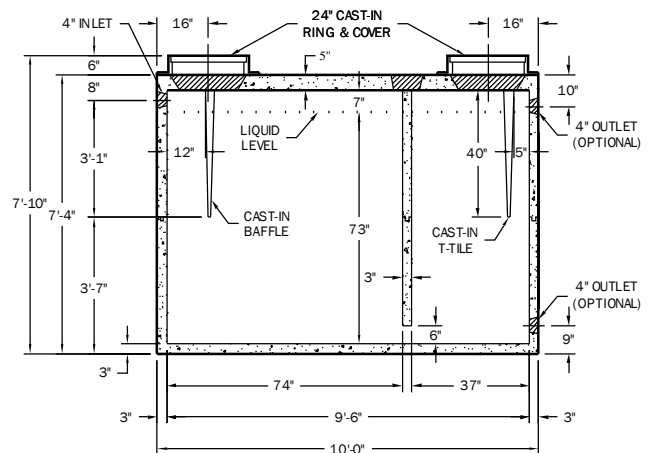
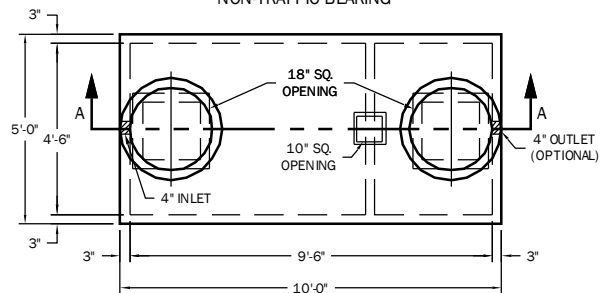
NON-TRAFFIC BEARING



SECTION A

### 2000 GALLON GREASE INTERCEPTOR

NON-TRAFFIC BEARING



SECTION A

**WESTERN**  
**PRECAST CONCRETE INC.**  
 QUALITY PRODUCTS AND SERVICE SINCE 1946

**GREASE INTERCEPTORS**

9101 Roseway (915) 859-9362