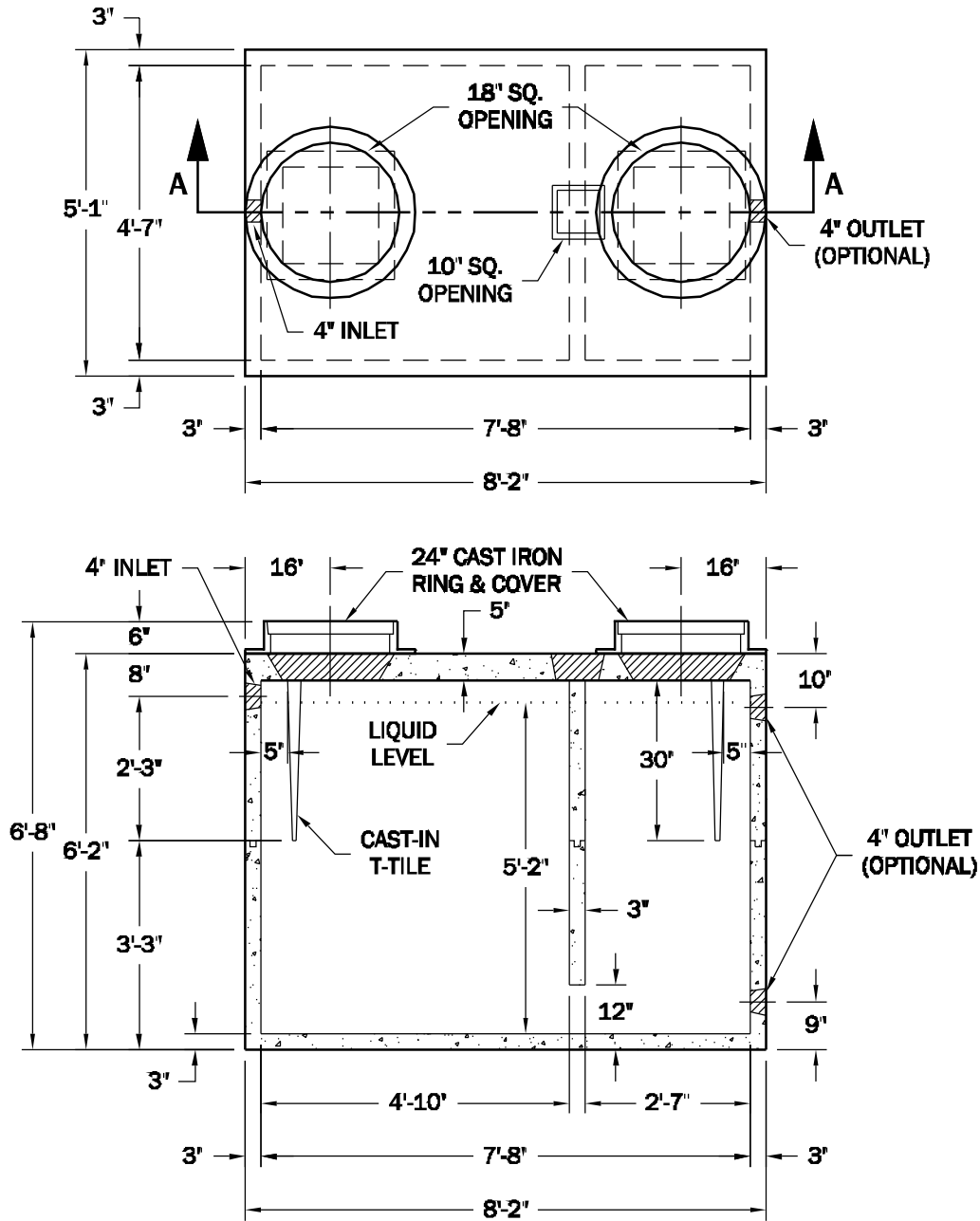


1250 GALLON GREASE INTERCEPTOR

NON-TRAFFIC BEARING



SECTION A

NOTES:

1. TANK SHALL HAVE 6 X 6 X 10 GA. WIRE MESH ON ALL SIDES, TOP, AND BOTTOM.
2. CONCRETE SHALL BE 4000 P.S.I. @ 28 DAYS.
3. INTERIOR WALLS ARE TAPERED.
4. 156 G.P.M. FLOW RATE.
5. 435 LBS. SCUM.
6. UPPER SECTION WEIGHT : 5,360 LBS.
7. LOWER SECTION WEIGHT: 4,840 LBS.
8. TOTAL TANK WEIGHT: 10,200 LBS.

WESTERN
PRECAST CONCRETE INC.
 QUALITY PRODUCTS AND SERVICE SINCE 1946

1250 GALLON GREASE INTERCEPTOR

9101 Roseway (915) 859-9362