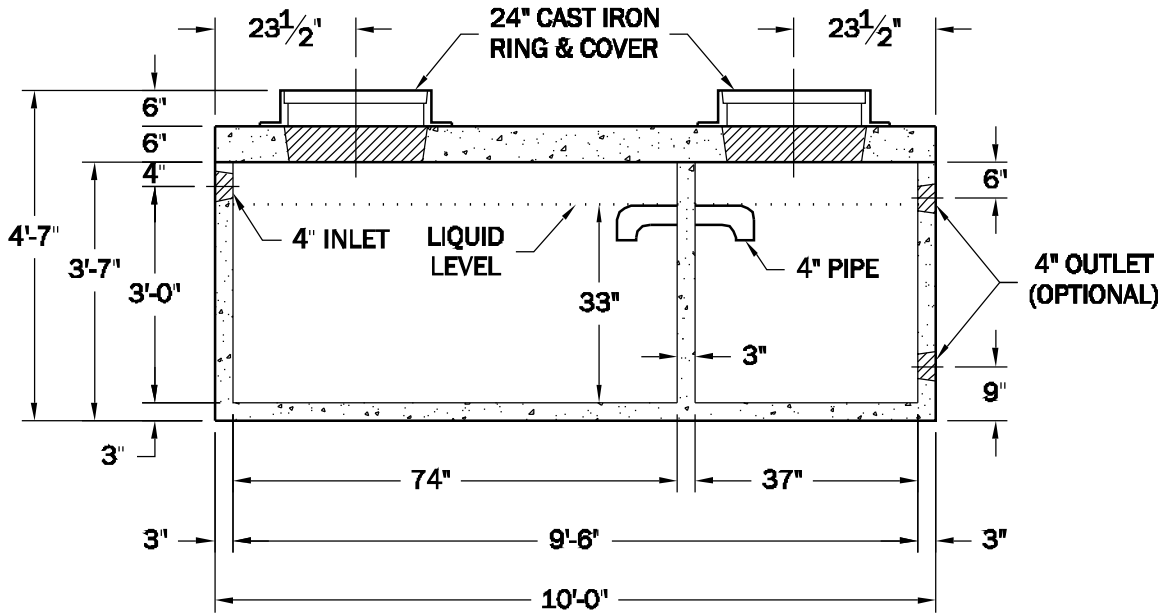
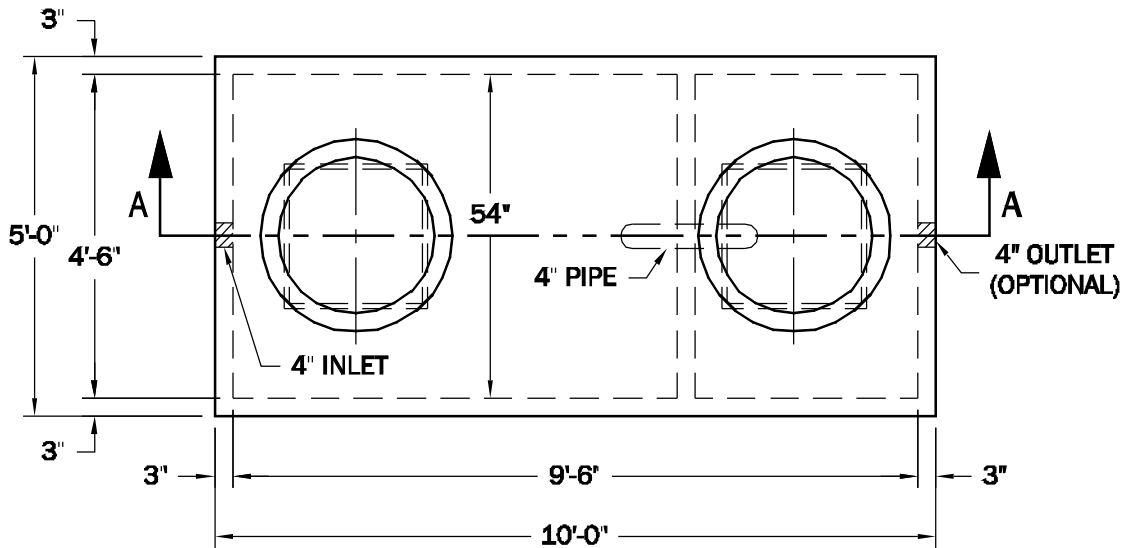


# 900 GALLON SAND INTERCEPTOR

NON-TRAFFIC BEARING



SECTION A

**NOTES:**

1. TANK SHALL HAVE 6 X 6 X 10 GA. WIRE MESH ON ALL SIDES, TOP, AND BOTTOM.
2. CONCRETE SHALL BE 4000 P.S.I. @ 28 DAYS.
3. INTERIOR WALLS ARE TAPERED.
4. 273 G.P.M. FLOW RATE.
5. CAPACITY = 1,840 LBS. OF SAND.
6. LID WEIGHT : 3,720 LBS.
7. BOX WEIGHT: 5,960 LBS.
8. TOTAL TANK WEIGHT: 9,680 LBS.
9. COVER CAN BE SOLID OR GRATED.

**WESTERN**  
**PRECAST CONCRETE INC.**  
 QUALITY PRODUCTS AND SERVICE SINCE 1946

**900 GALLON SAND INTERCEPTOR**

9101 Roseway | (915) 859-9362