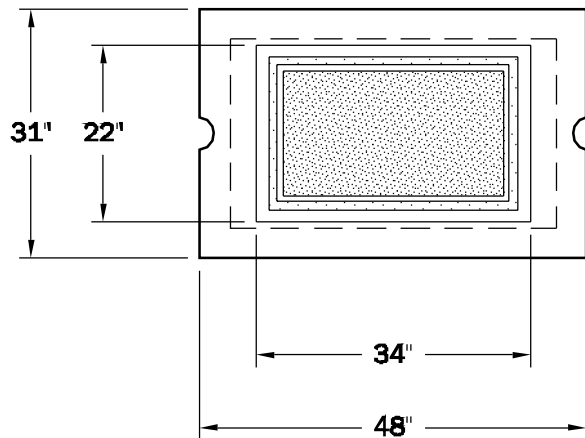
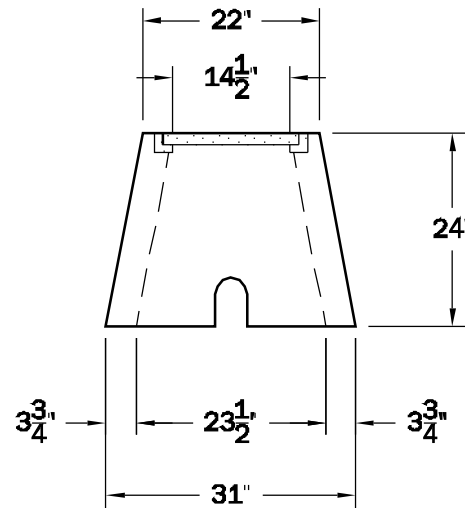
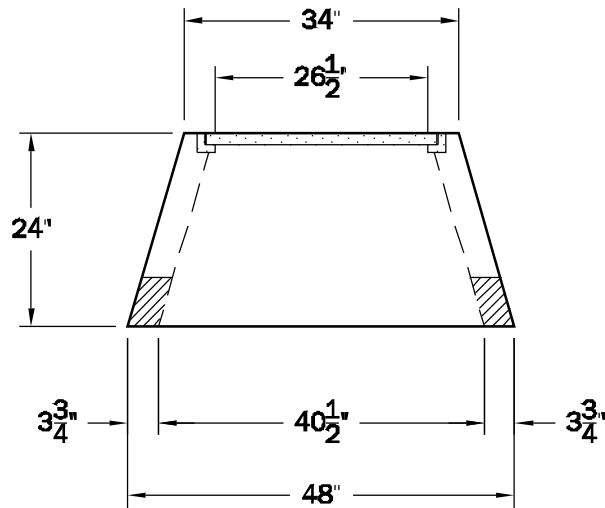


# SMALL SLOPE METER BOX



**NOTES:**

1. 4,000 PSI CONCRETE @ 28 DAYS
2. 6 X 6 X 10/10 WELD WIRE
3. PSB FRAME: 29 1/2" X 17 1/2"
4. PSB COVER: 27 3/4" X 15 3/4"  
W/ 3/8" THK. FLOOR PLATE.
5. OPEN BOTTOM

**WESTERN**  
**PRECAST CONCRETE INC.**  
 QUALITY PRODUCTS AND SERVICE SINCE 1946

**SMALL SLOPE METER BOX**

9101 Roseway | (915) 859-9362