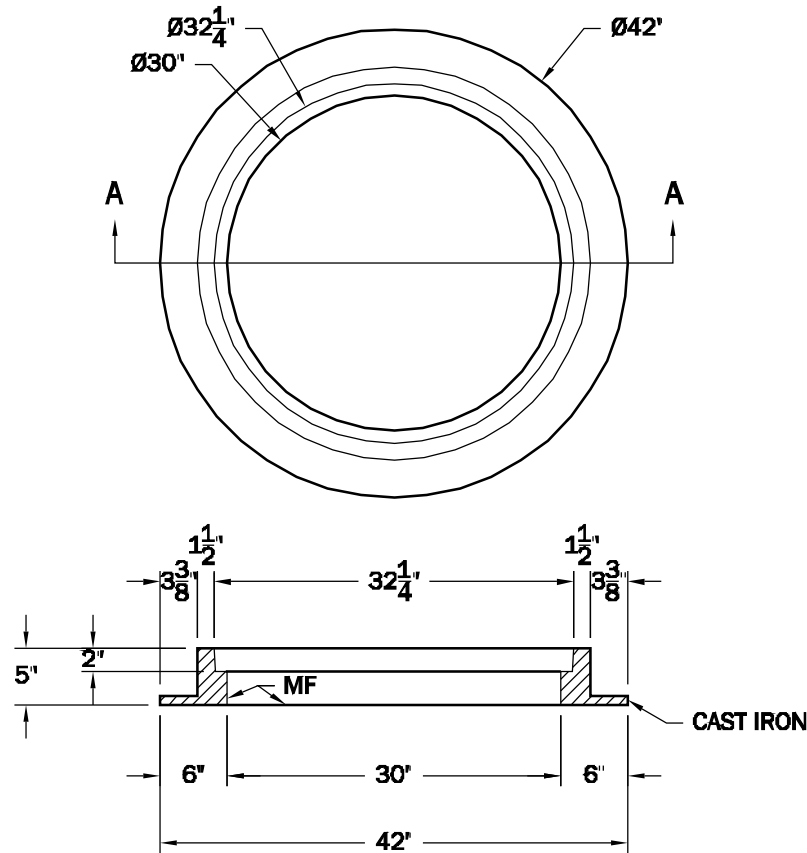


30" RING

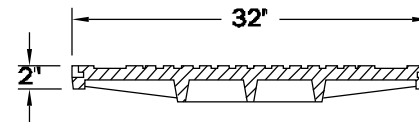
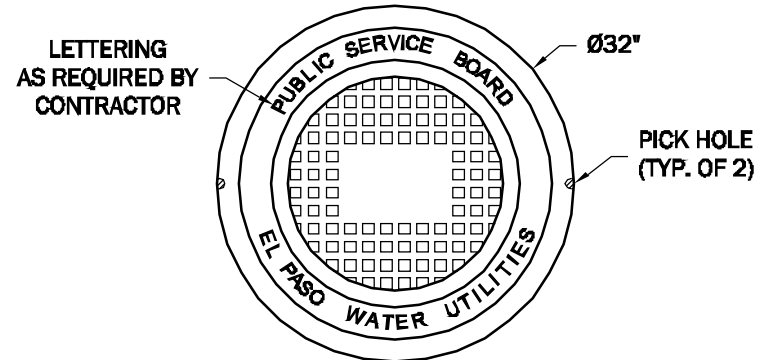


SECTION A-A

GENERAL NOTES:

1. MATCHING SURFACES MARKED 'MF' TO BE FINISHED OF ANY IRREGULARITIES THAT WOULD PREVENT A SNUG FIT.
2. CASTING TO BE SMOOTH & VOID OF AIR HOLES

COVER



H-20 LOADING

ITEM	CASTING	WEIGHT
RING	1273000	220 LBS
LID	1173002	310 LBS
SET	1550102	530 LBS

WESTERN
PRECAST CONCRETE INC.
 QUALITY PRODUCTS AND SERVICE SINCE 1946

30" RING & COVER

9101 Roseway

(915) 859-9362