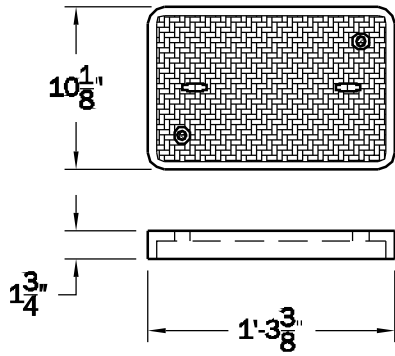
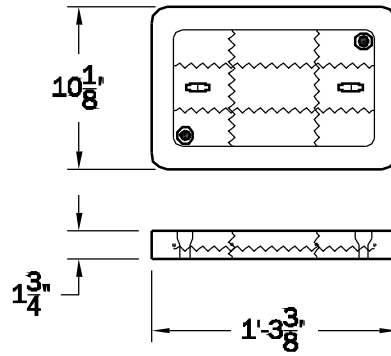


PULLBOX NO. 36

COVERS FOR PULLBOX NO. 36



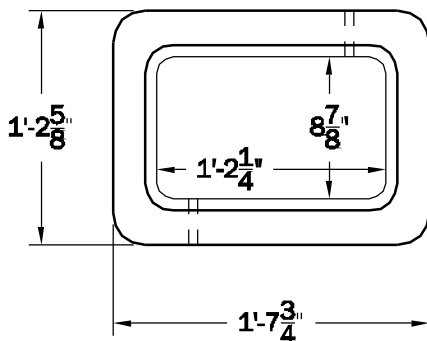
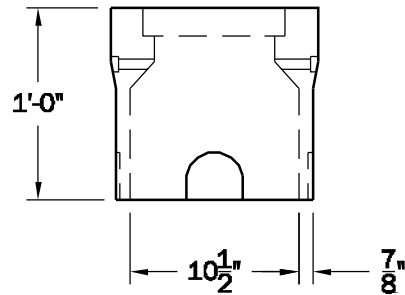
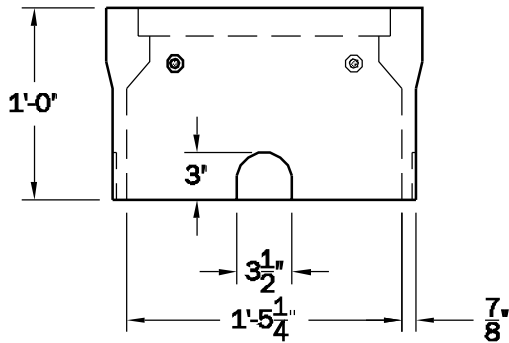
IRON COVER
FOR PULLBOX NO. 36
WT. - 23 lbs.



CONCRETE COVER
FOR PULLBOX NO. 36
WT. - 17 lbs.

BOX (BODY) FOR PULLBOX NO. 36

WT. - 64 LBS.



WESTERN
PRECAST CONCRETE INC.
QUALITY PRODUCTS AND SERVICE SINCE 1946

PULLBOX NO. 36

9101 Roseway | (915) 859-9362